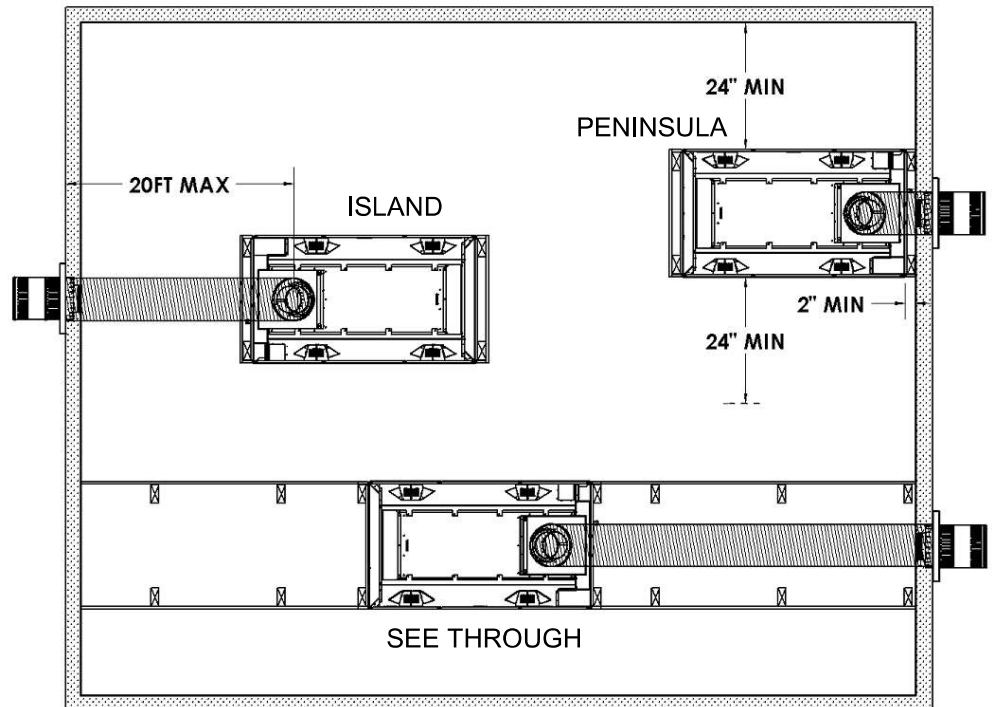


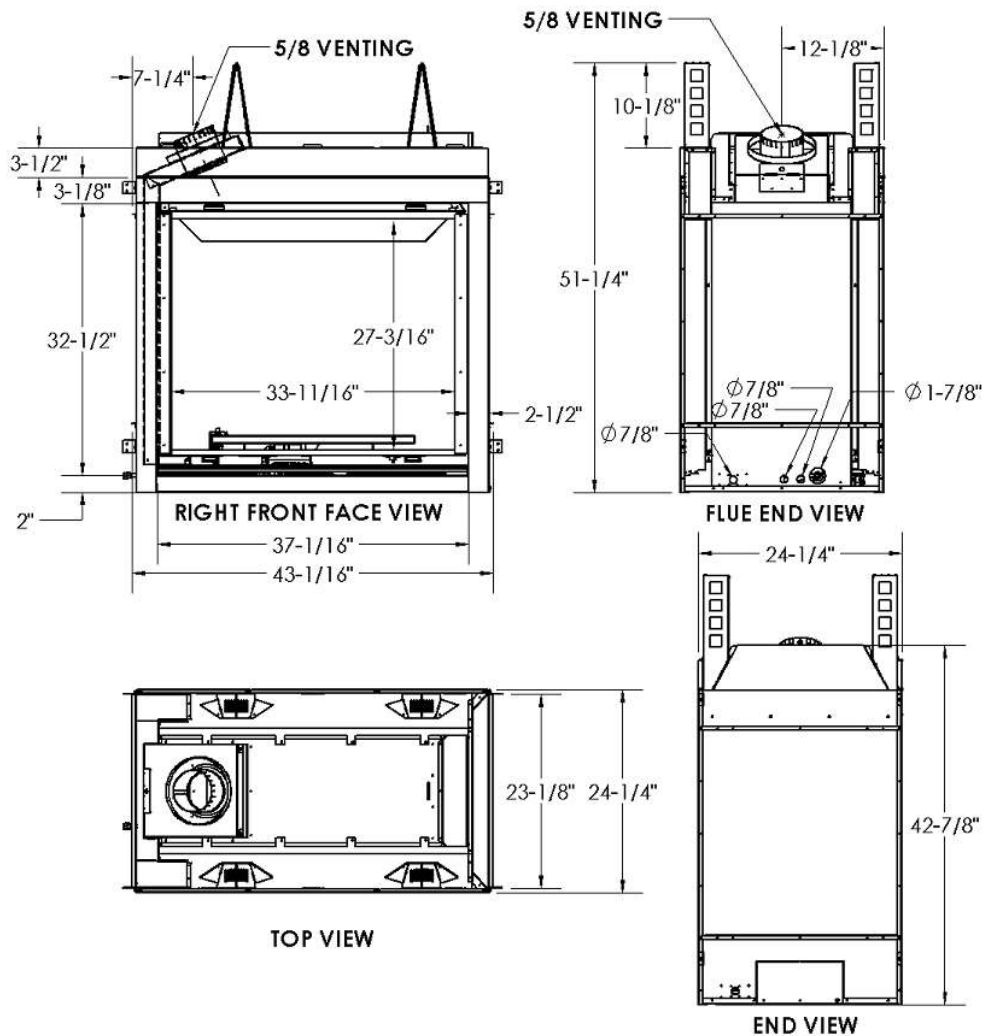
MCVST42 Locating Your Appliance

See Mantel Leg Clearances Instruction for the proper placement of fireplace.



ALL UNITS MAY BE VENTED VERTICALLY

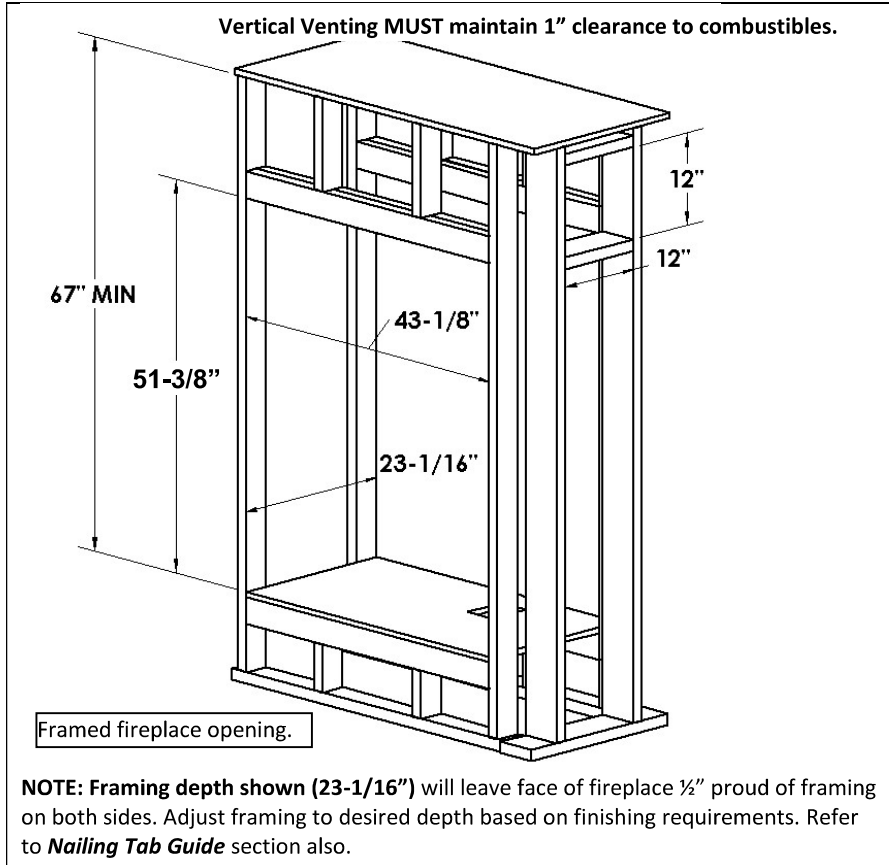
MCVST42 Fireplace Dimensions



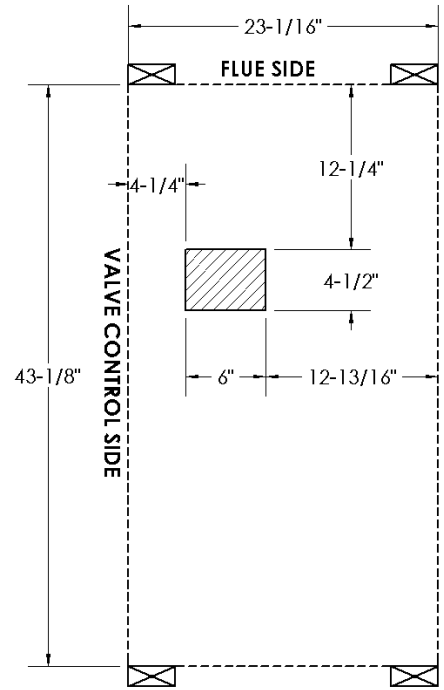
MCVST42

Framing Dimensions

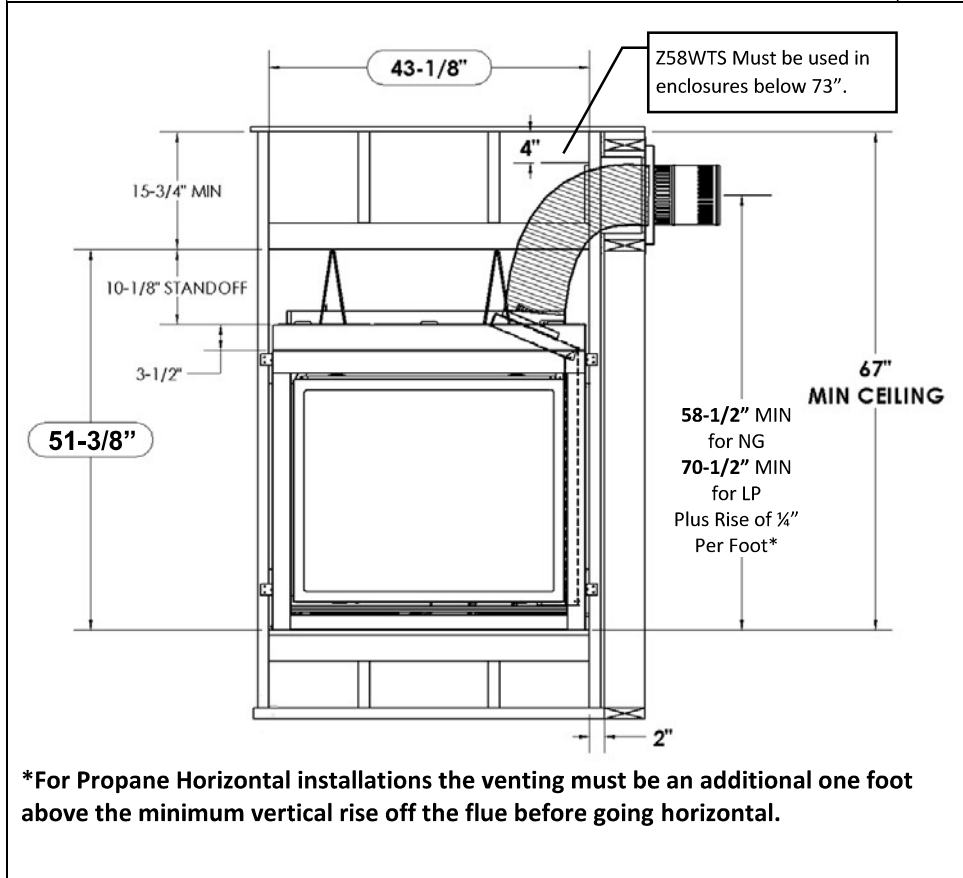
These structures are not load bearing.



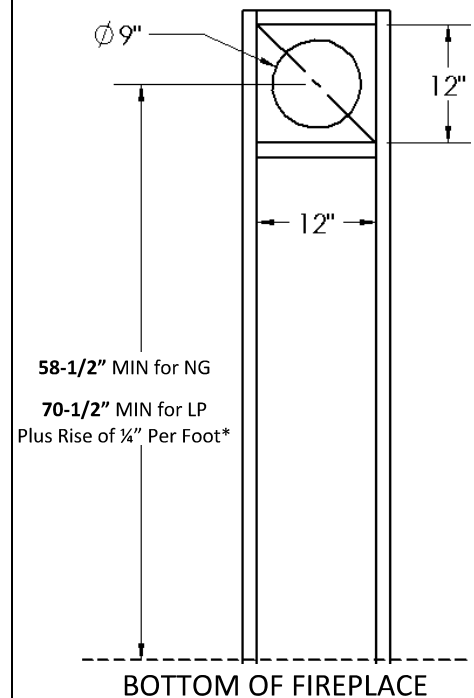
Optional floor cutout for gas line if coming up through floor.



TOP VIEW



Vent Framing (Vertical or Horizontal)
9" Round Hole through Masonry.
12" x 12" Framing for Combustible.



*For Propane Horizontal installations the venting must be an additional one foot above the minimum vertical rise off the flue before going horizontal.

MCVST42 Facing Requirements

Required Non-Combustible Areas

FIREPLACE WITH INSIDE FIT SCREEN (AS SHIPPED AFTER SEPTEMBER OF 2022) SHOWN HERE.

Any materials covering the face of the fireplace must be non-combustible (i.e., brick stone, tile, concrete board).

