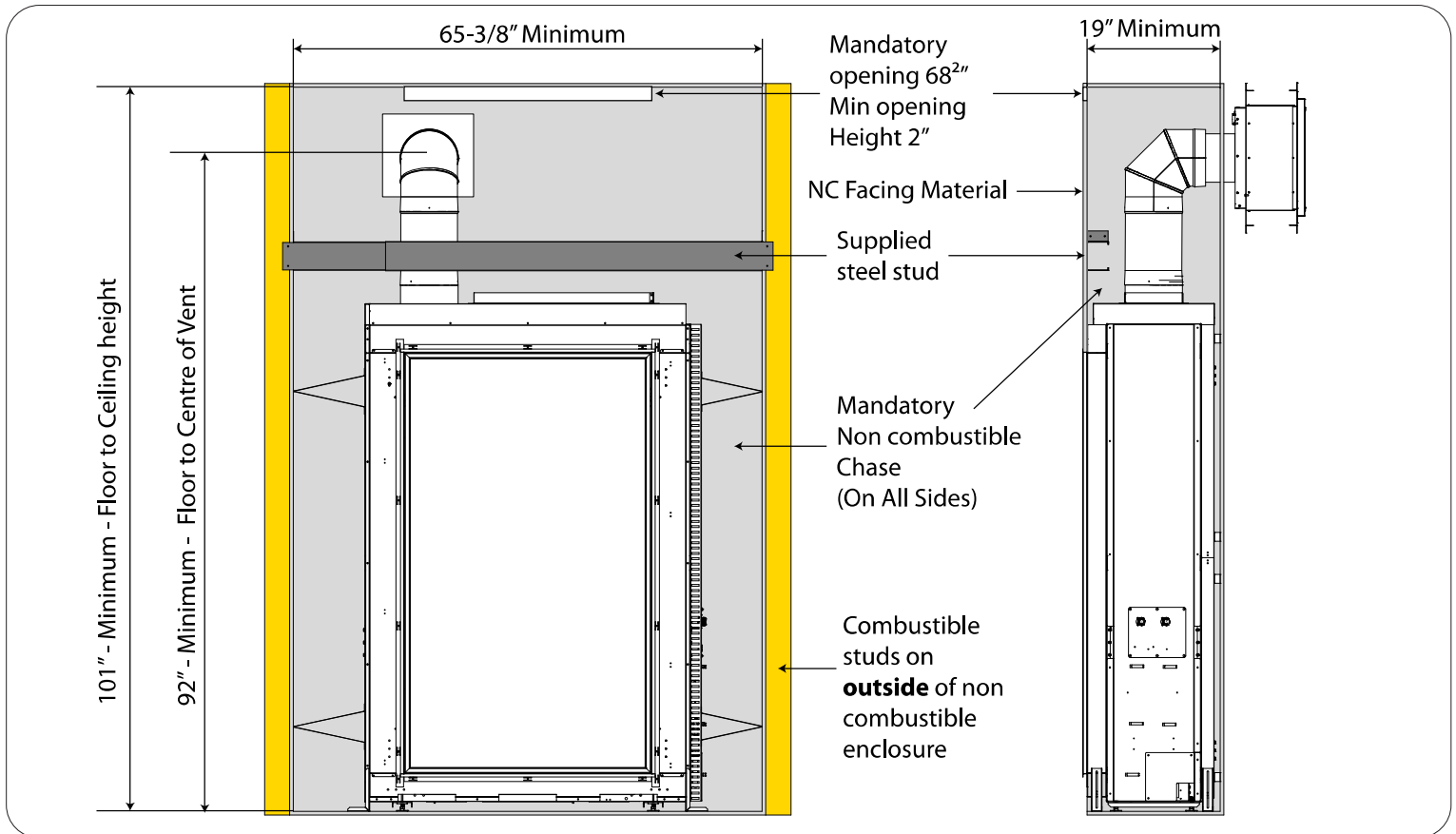


Single Sided - Minimum Framing Clearances



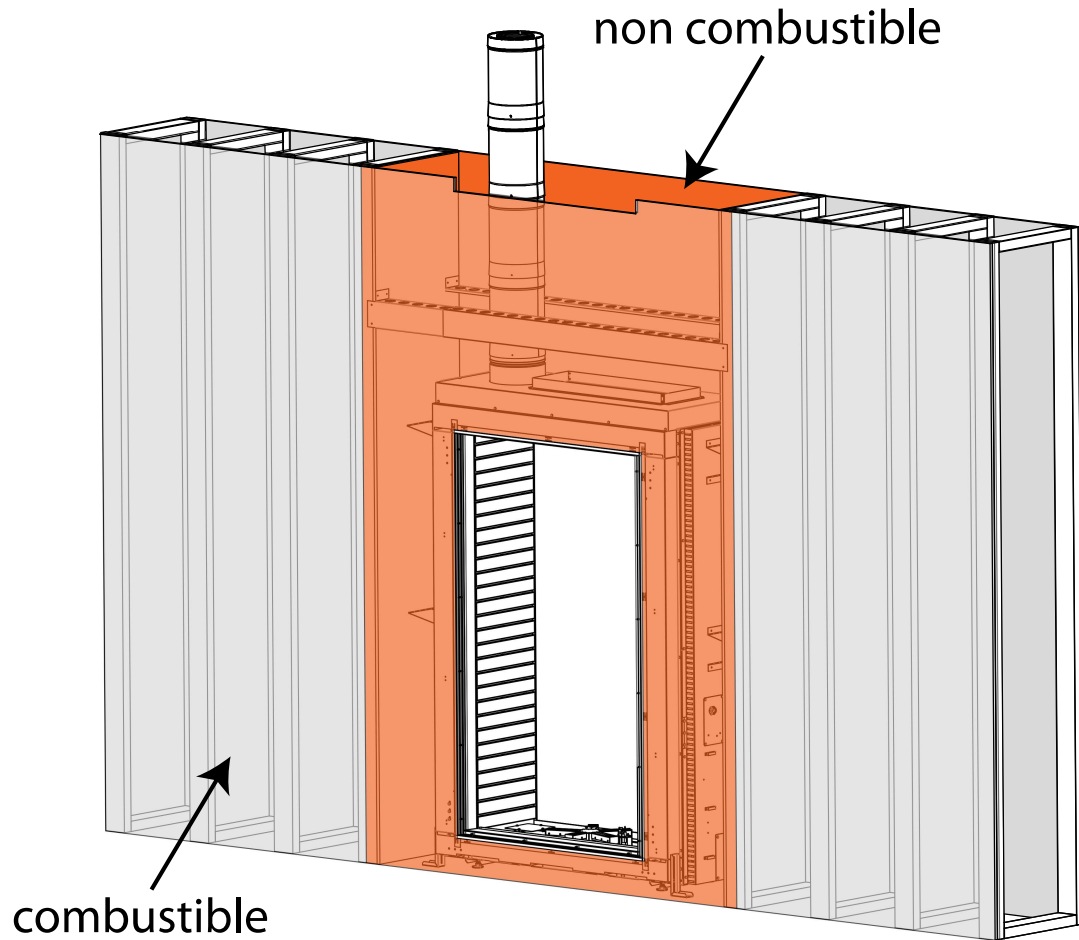
Minimum Framing Clearances

THE U33I-T REQUIRES A FULL NON COMBUSTIBLE CHASE ON ALL SIDES.

NOTES:

- Combustible material Cannot Be used inside the chase.
- Chase may be framed beyond minimum framing for taller ceilings, overhangs etc.
- Chase cannot be open to joists or rafters above.
- Chase heat release(s) must be at least 60" (152 cm) away from the nearest fire sprinkler head.
- The fireplace is not load bearing so the chase must be constructed to fully support finishing materials.
- A larger chase will always breathe more efficiently maintaining cooler surface temperatures.
- No intake air gap is required.
- U33I-T is not permitted for a recess in the chase.

Double Sided Install



Double Sided Minimum Framing Clearances

- This unit can be made into a double sided glass unit with kit 50-4170
- Detailed Installation Instructions for converting your unit into double sided glass are found with the kit.
- Framing Clearance for double sided are the same as single sided.
- You will still require Mandatory opening of 68 square inch open on 1 side.
- The double sided installation still requires a completely non combustible chase on all sides.