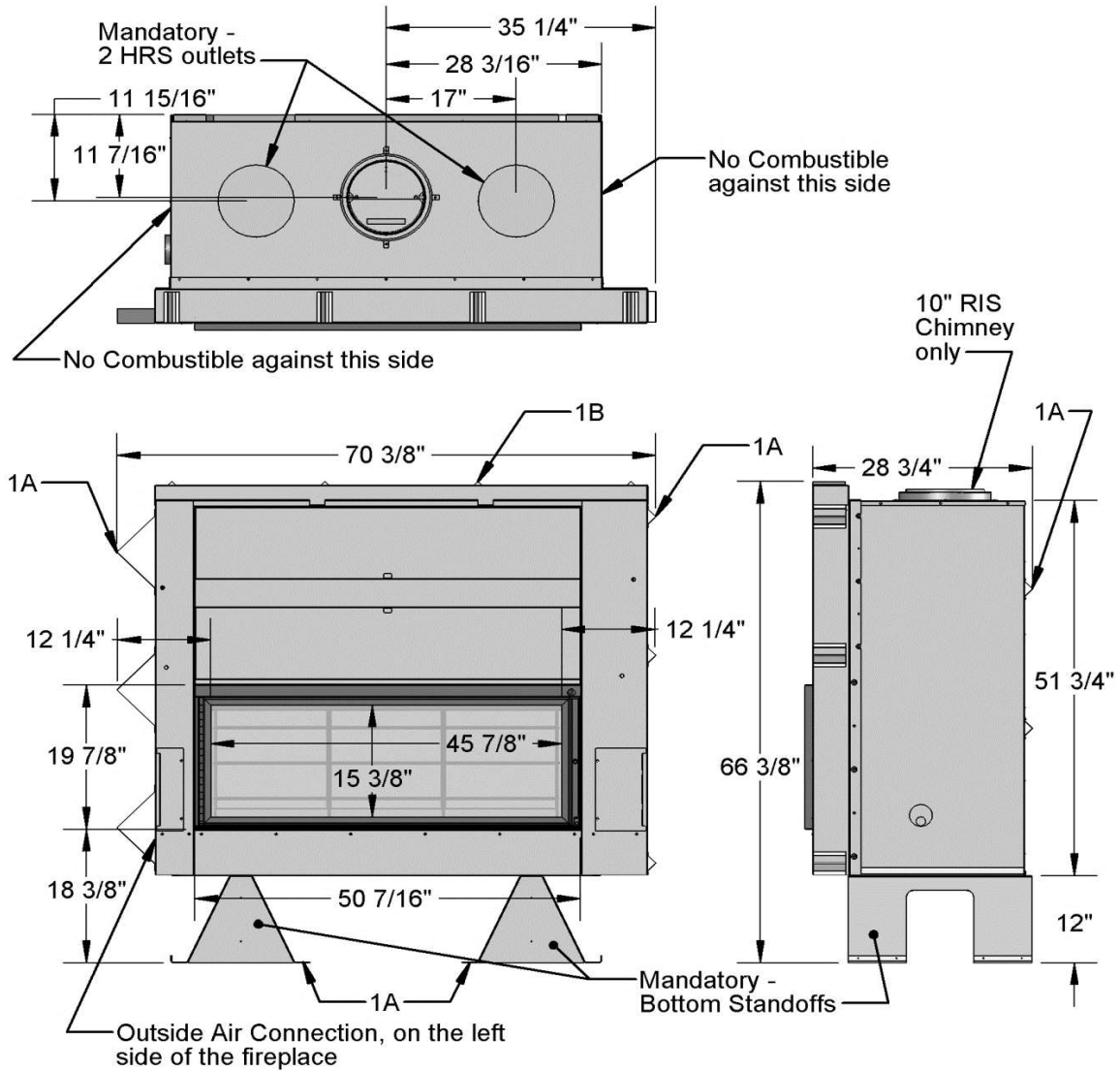


# FIREPLACE SPECIFICATIONS

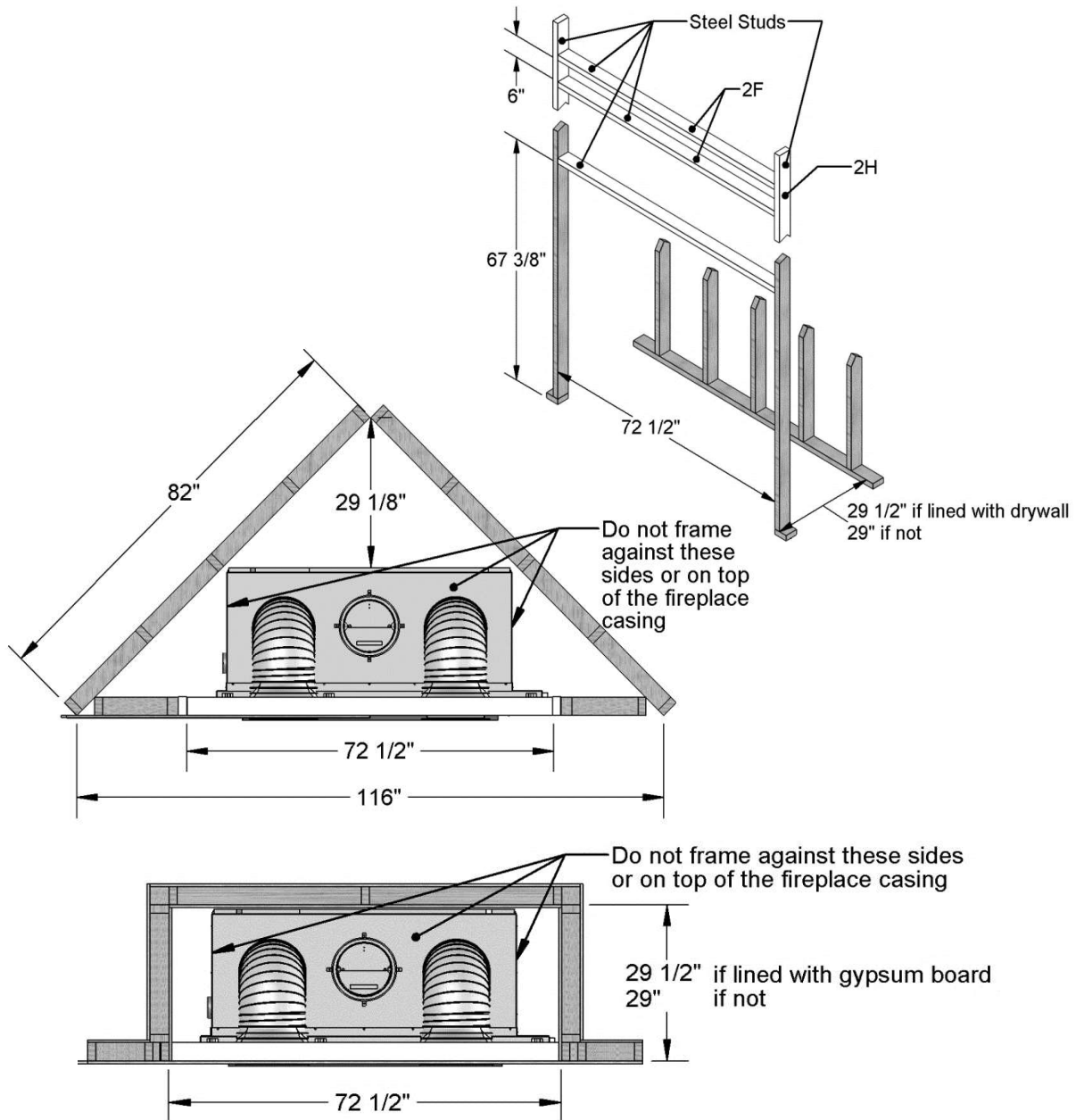


**FIGURE 2 FIREPLACE DIMENSIONS**

## FRAMING OVERVIEW

Steel studs are required in some areas of this installation, see Figure 3.

Walls on all interior sides of the fireplace enclosure should be finished and flat. Insulation or other materials should not be placed in required clearance spaces around the fireplace.



The minimal recommended framing dimensions do not take into consideration the space required for the outside air connection and duct or the HRS Air Intakes because the location for these and the space required are specific to your installation. Take the time to plan.

**FIGURE 3** MINIMAL FRAMING DIMENSIONS



**IMPORTANT: A NON-COMBUSTIBLE HEARTH EXTENSION IS REQUIRED IN FRONT OF THIS FIREPLACE. REFER TO THE "HEARTH EXTENSION REQUIREMENTS" SECTION OF THIS MANUAL FOR MORE INFORMATION ON THE HEARTH EXTENSION AND ITS REQUIREMENTS.**

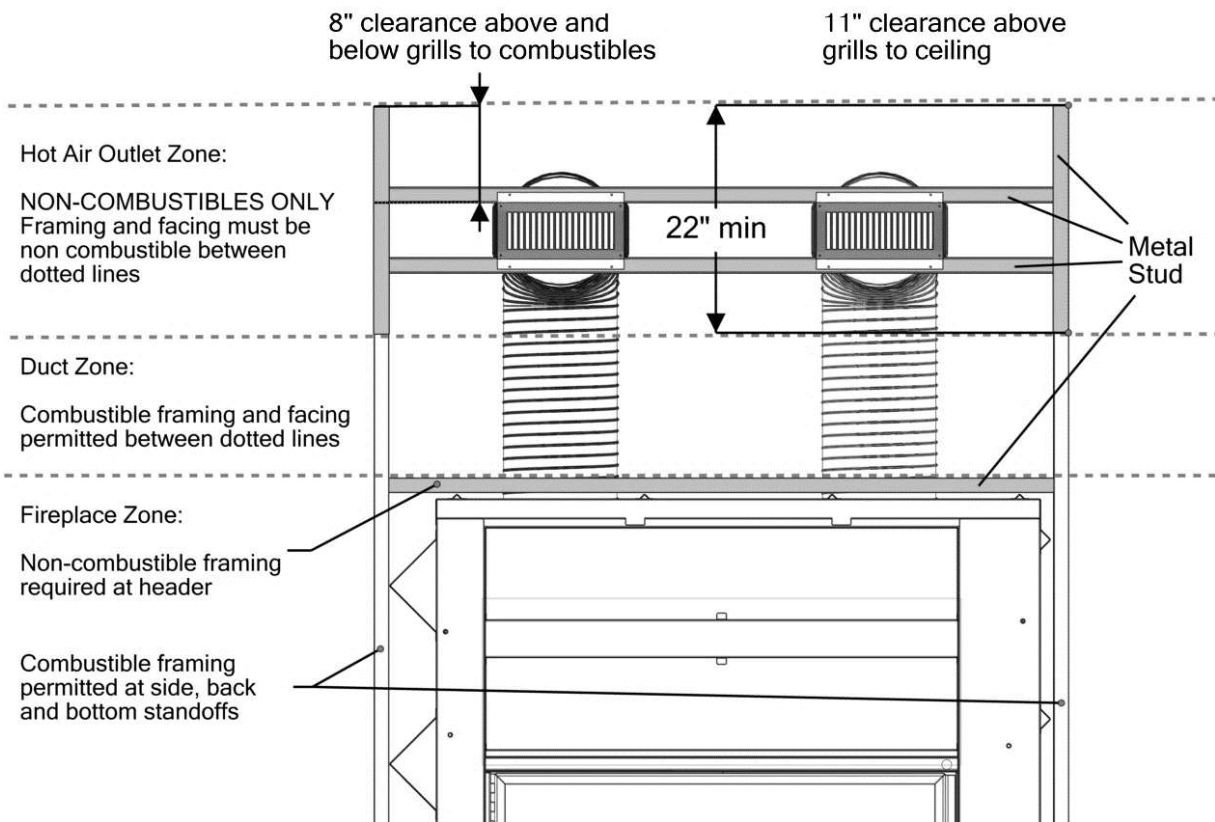
For duct clearance requirements, refer to the "Heat Redistribution system (HRS) Overview & Options" in this manual.

For finishing specifications and allowable materials, refer to the "Fireplace Facing" section in this manual.

### NON-COMBUSTIBLE FRAMING OVERVIEW

For specifics about the Hot Air Duct clearances and which materials are permitted for framing or finishing, refer to the "HRS Clearances" section in this manual.

For specifics about finishing the fireplace facing and which materials are permitted, refer to the "Fireplace Facing" section in this manual.



**FIGURE 4 NON-COMBUSTIBLE AND COMBUSTIBLE STRUCTURE AND SURFACE**