

FIREPLACE SPECIFICATIONS

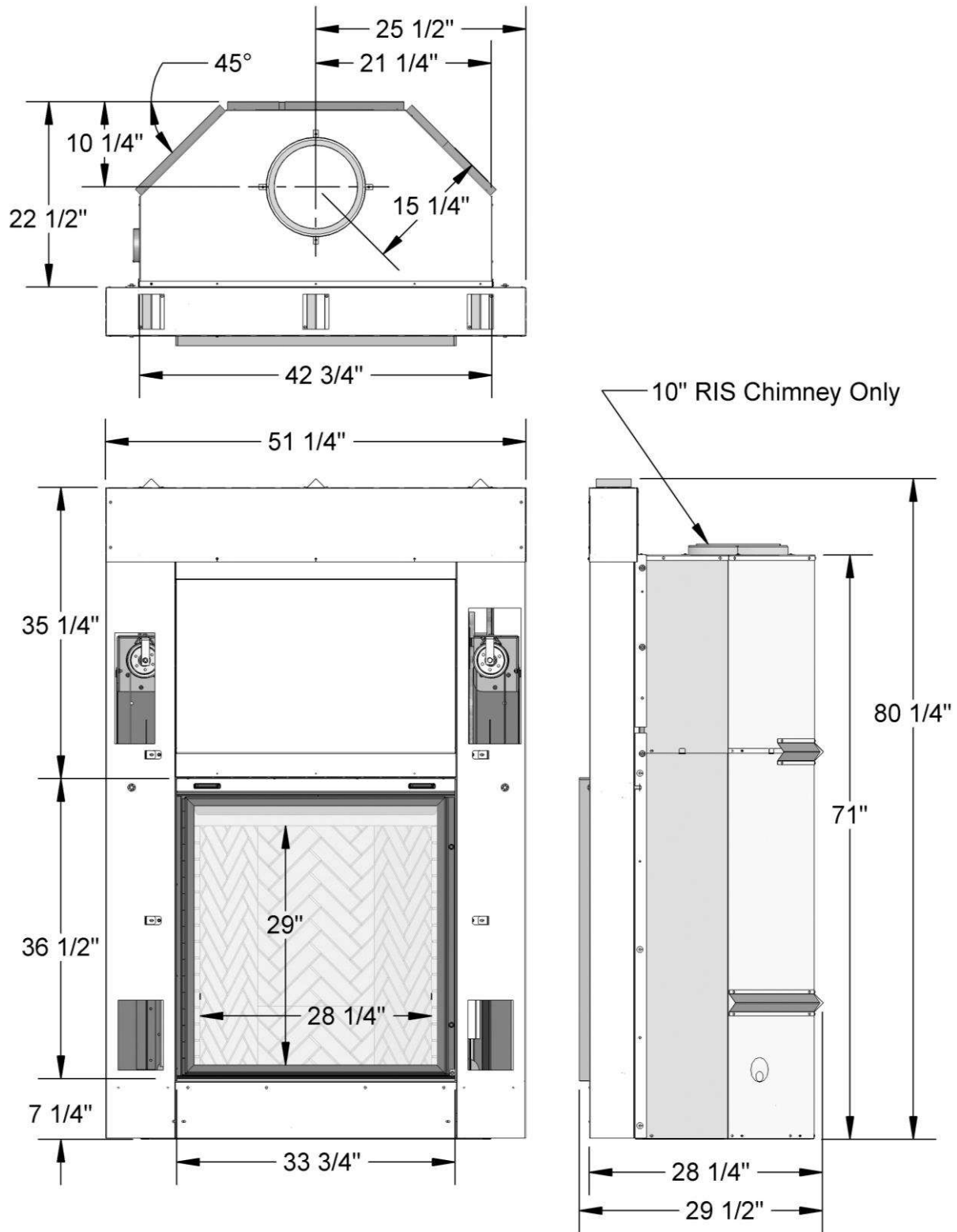
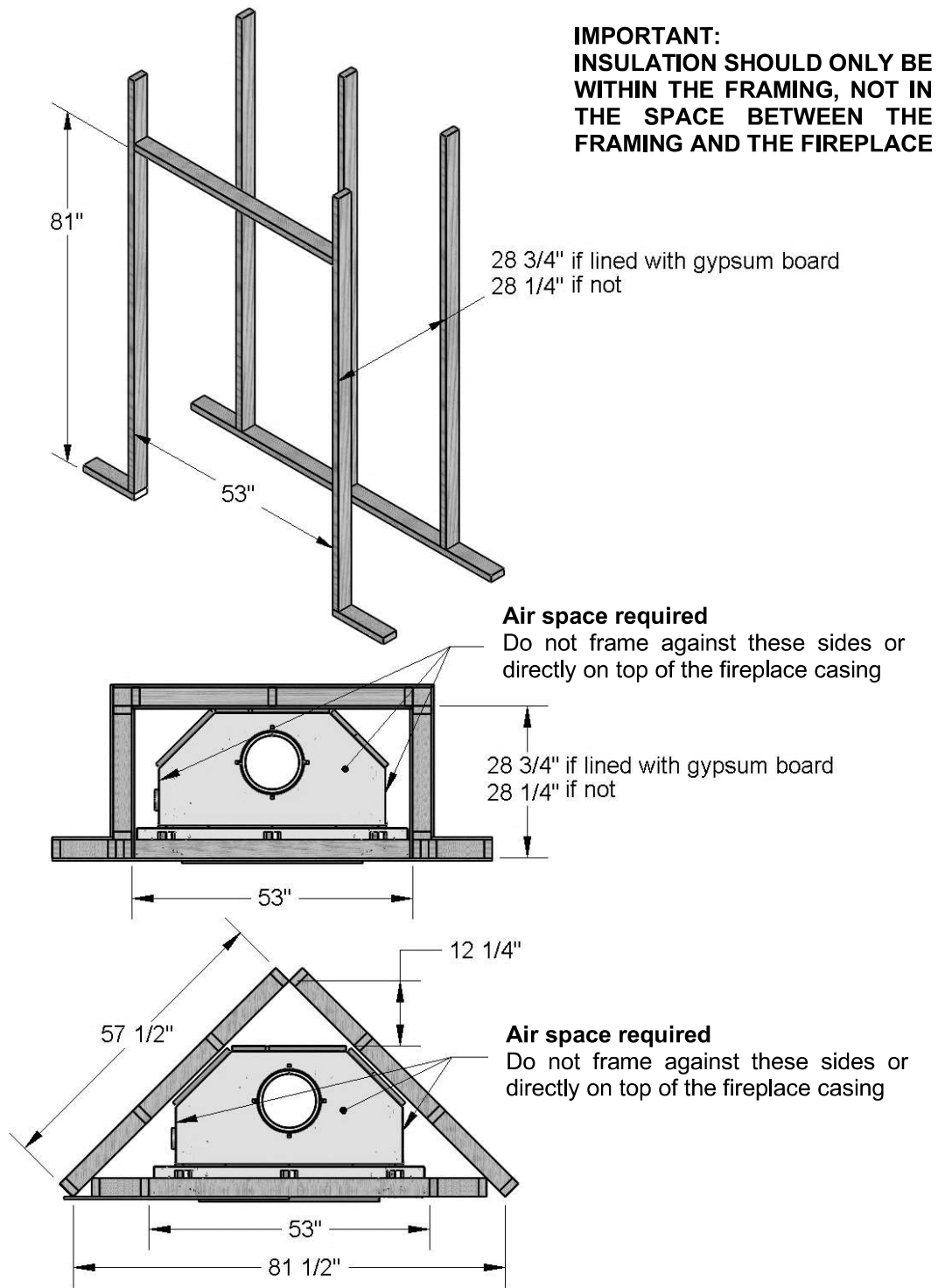


FIGURE 2 FIREPLACE DIMENSIONS

FRAMING OVERVIEW

Walls on all interior sides of the fireplace enclosure should be finished and flat. Insulation or other materials should not be placed within the required clearance spaces around the fireplace.



The minimal recommended framing dimensions do not take into consideration the space required for the outside air connection because the location for it and the space required are specific to your installation. Take the time to plan.

FIGURE 3 MINIMAL FRAMING DIMENSIONS