



NÔRDIK SERIES

TALL LINEAR 60TL & 48TL

DIRECT VENT GAS FIREPLACE



Nordik 60TL with black brick, traditional logs and rectangle surround

KOZY  HEAT
FIREPLACES

Model 36DV with black glass panels, full
rectangle screen front and a Komati 70" log

NÔRDIK TALL LINEAR SERIES

Nordik 60TL | Nordik 48TL

Safety Screen: 62-3/8" x 22-1/2" | 50-3/8" x 22-1/2"

Rectangle Surround: 64-5/8" x 25" | 52-5/8" x 25"

Nordik 60TL



Birch Log with Standard Safety Screen

Nordik 48TL



Traditional Log with Standard Safety Screen



Traditional Log with Optional Rectangle Surround



Birch Log with Optional Rectangle Surround

Burn Videos



60 TL
Traditional Log



60 TL
Birch Log



48 TL
Traditional Log



Nordik 48TL with birch logs
and black glass refractory

NÔRDIK TALL LINEAR SERIES

Optional Refractory/Panel Options



Black Glass with Birch Logs



Ledgestone with Traditional Logs



Herringbone with Traditional Logs



Chicago Brick with Birch Logs



Black Brick with Traditional Logs

Remote Control Option



KOMFORT KONTROL

Remote control features:



Thermostat function



Top Light Kit: Modulation
Ember Bed: On/Off



Flame height modulation



IPI to continuous pilot



Fan speed modulation



Nordik 60TL with birch logs
and black glass refractory

NÔRDIK TALL LINEAR SERIES

Specifications

Model	Nordik 60TL	Nordik 48TL
Height	46-1/8"	46-1/8"
Width	69-1/2"	57-1/2"
Back Width	69-1/2"	57-1/2"
Depth	19-1/2"	19-1/2"
Weight	355 lbs	335 lbs
Viewing Area	60" x 20"	48" x 20"
BTU NG High / Low	51,000 / 34,000	51,000 / 34,000
BTU LP High / Low	51,000 / 40,000	51,000 / 40,000
Steady State NG / LP	73.37% / 75.75%	72.86% / 74.47%
AFUE % NG / LP	71.94% / 74.63%	71.62% / 72.07%
Valve System	IPI	IPI
Fan Kit	Optional	Optional
Top Light Kit	Included	Included
Ember Bed Light Kit	Included	Included
Screen Front	Included	Included
Required Media	Traditional Log or Birch Log	Traditional Log or Birch Log
Horizontal Power Vent	Optional	Optional

Features, Options & Specifications are subject to change.

Each unit factory tested

Certified to ANSI Z21.88 Vented Gas Heaters

Heat Management Options

Model	Nordik 60TL	Nordik 48TL
Komfort Zone Kit*	Optional	Optional
Interior Heat Transfer Kit	Optional	Optional
Exterior Heat Transfer Kit	Optional	Optional

*Front Plenum only. No Side Plenum

Clearances | Without Komfort Zone Kit

Model	Nordik 60TL	Nordik 48TL
Minimum height of the fireplace enclosure	80"	84"
Base of the fireplace to ceiling	80"	84"
Fireplace top finishing edge to ceiling	46-3/8"	50-3/8"
Fireplace from stand off brackets	0"	0"
From fireplace corners	2-5/8"	2-5/8"
From fireplace front	36"	36"
Fireplace sides to adjacent sidewall	0"	0"
Mantel 6" deep from fireplace top finishing edge	12"	12-1/2"
Mantel 6" deep from base of fireplace	45-5/8"	46-1/8"

Clearances | With Komfort Zone Kit

Model	Nordik 60TL	Nordik 48TL
Mantel 6" deep from fireplace top finishing edge	0"	0"
Mantel 6" deep from base of fireplace	33-5/8"	33-5/8"

Refer to the installation manuals for complete installation & venting requirements. See additional mantel clearance configurations in the installation manual.

Vent System Approval & Requirements

- BDM™
- American Metal™ Products (Amerivent)
- Metal Fab™
- ICC™
- Simpson Dura-Vent™
- Selkirk

Elbows: For each additional 90° elbow used after the first elbow, 3' must be subtracted from the maximum venting allowed. For each additional 45° elbow used after the first elbow, 1½' must be subtracted from the maximum venting allowed.

Note: (2) 45° elbows = (1) 90° elbow.

Nordik 60TL & Nordik 48TL

Approved 5 x 8 venting standard

Reduces down to 4 x 6-5/8 for vertical termination only

Approved for Class A / Masonry Chimney conversion

Nordik 60TL & Nordik 48TL

Horizontal Terminations

Minimum: 12" vertical vent pipe + 90° horizontal elbow + vent cap

Maximum: 25' vertical vent pipe + 90° horizontal elbow + 25' horizontal vent pipe + vent cap

Nordik 60TL & Nordik 48TL

Vertical Terminations

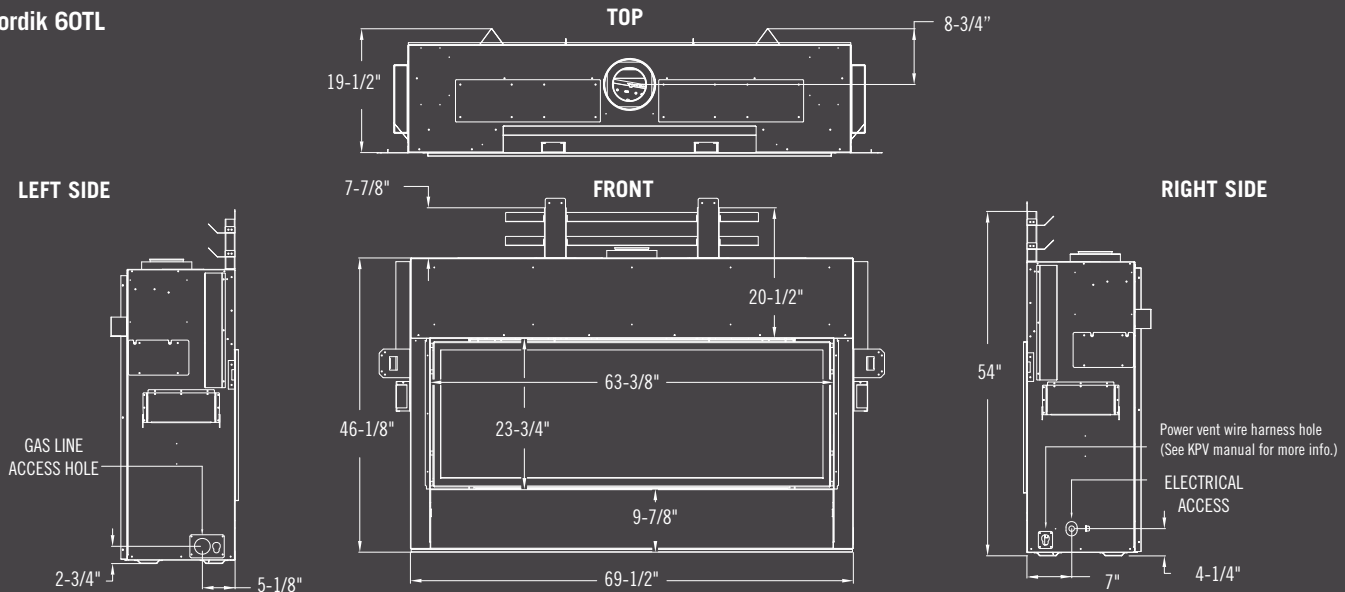
Minimum: 3' + vent cap

Maximum: 50' + vent cap

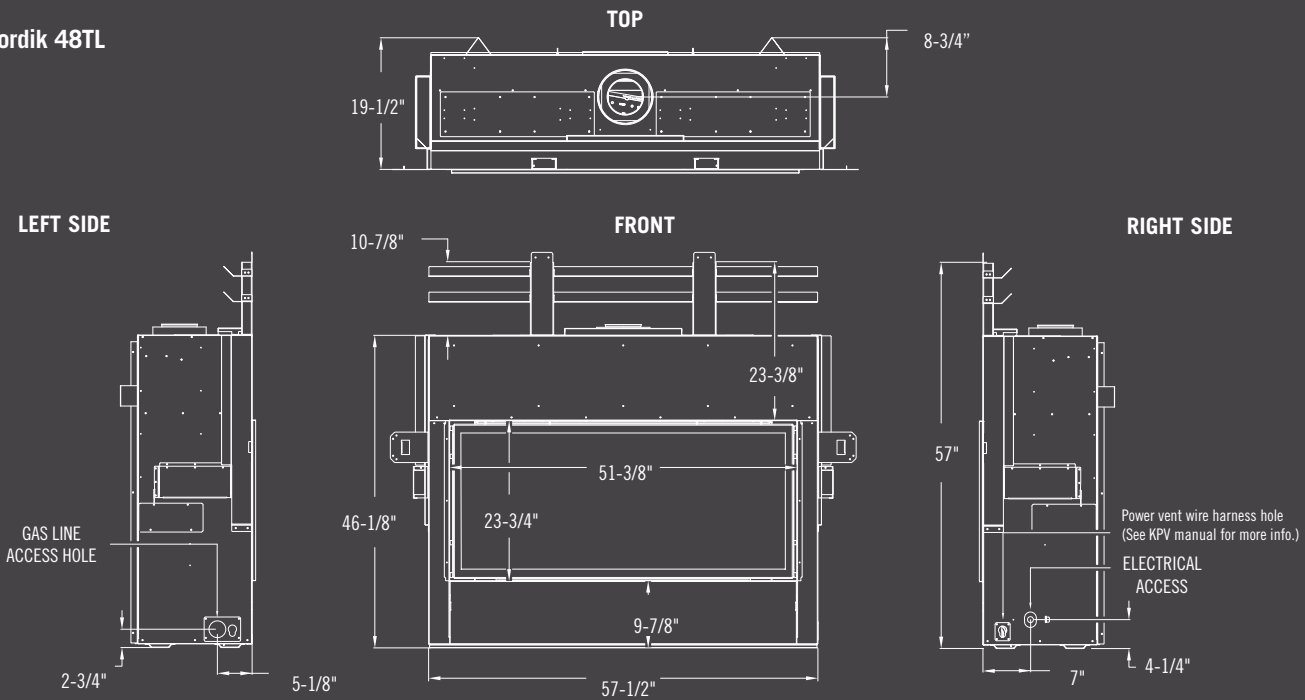
NÔRDIK TALL LINEAR SERIES

Specifications

Nordik 60TL



Nordik 48TL



KOZY HEAT
 FIREPLACES

In order to continually provide the highest quality product available, features/options, specifications, & dimensions are subject to change. Flame appearance and characteristics may be affected by altitude, fuel type, venting configuration, and other factors. Refer to the unit installation manual for complete installation instructions. Installation must conform with local building codes. **In some regions it may be possible that this appliance qualifies for an energy rebate. See your local dealer for details regarding promotions and qualifications.**

Manufactured by Hussong Mfg. Co., Inc.
 204 Industrial Park Road, Lakefield, MN 56150
 Phone 1-800-253-4904 www.kozyheat.com 8-24



Product Line:



For complete information on the Kozy Heat product line, please contact us at:

FOR CALIFORNIA RESIDENTS ONLY

⚠ California Proposition 65 Warning

WARNING: This product can expose you to chemicals including Carbon Monoxide, that is an externally vented by-product of fuel combustion, which is [are] known to the State of California to cause birth defects or other reproductive harm. For more information, visit www.P65Warnings.ca.gov.